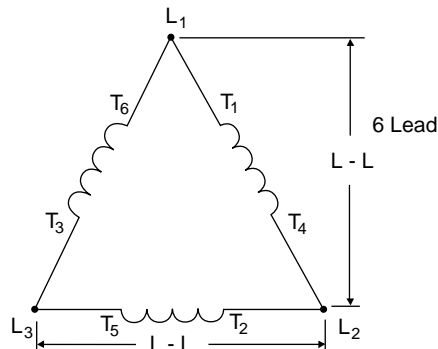


Technical Data

Connection Diagrams

DELTA

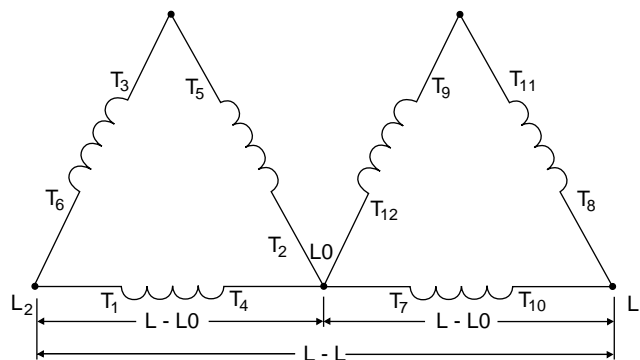
Voltage	
HZ	L-L
60	2402
	7967
50	1905
	6351



DOUBLE DELTA

★ Single Phase Connection

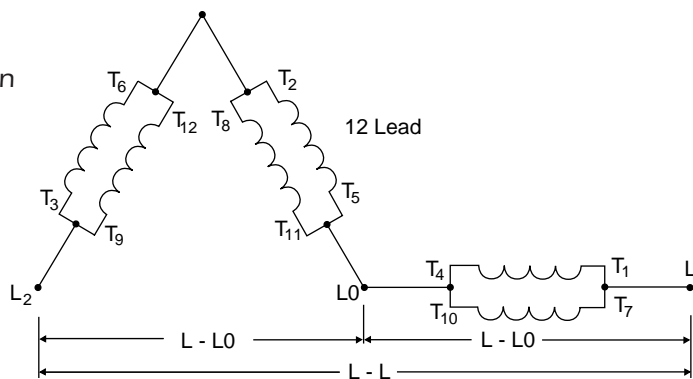
Voltage		
HZ	L-L	L-L0
60	200	100
	220	110
	240	120
50	220	110



PARALLEL LOW ZIGZAG

★ Single Phase Connection

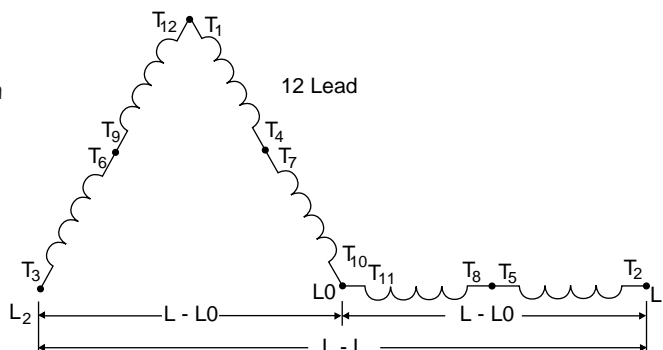
Voltage		
HZ	L-L	L-L0
60	200	100
	220	110
	240	120
50	220	110



SERIES HIGH ZIGZAG

★ Single Phase Connection

Voltage		
HZ	L-L	L-L0
60	480	240



★ Note: Single phase kW/kVA ratings are approximately equal to 50% of the generator's three phase ratings