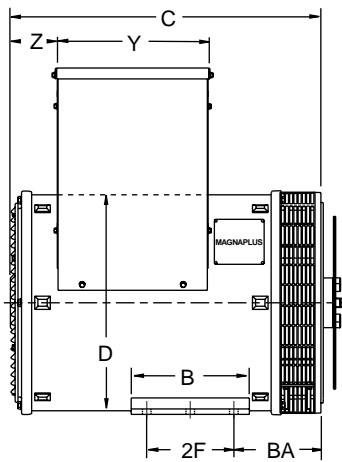


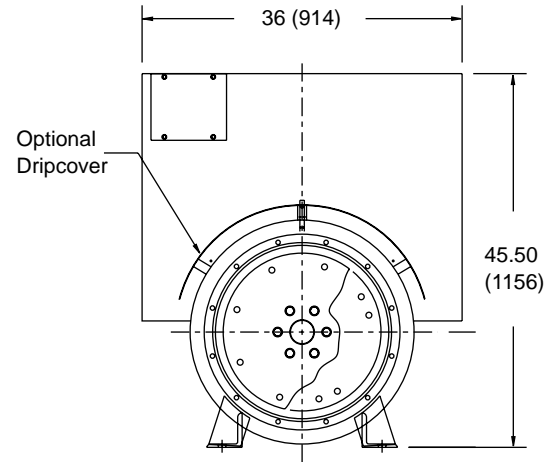
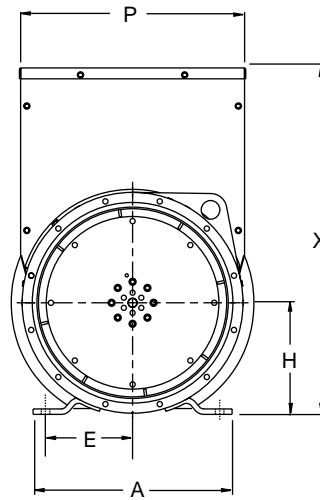
# Dimensions in inches and (millimeters)

## MAGNAPLUS®

ALL DIMENSIONS ARE APPROXIMATE: Contact factory for full dimensional data



280-430 frame



Optional Box (for 430 frame only)

Frame Size	A	B	BA	C ①	D	E	2F	H	P	X	Y	Z
281	14.00 (356)	7.00 (178)	6.56 (167)	15.94 (405)	13.75 (349)	6.25 (159)	5.00 (127)	8.00 (203)	13.42 (341)	18.56 (471)	6.86 (174)	3.50 (89)
282	14.00 (356)	7.00 (178)	6.56 (167)	17.94 (456)	13.75 (349)	6.25 (159)	5.00 (127)	8.00 (203)	13.42 (341)	18.56 (471)	8.93 (227)	3.50 (89)
283	14.00 (356)	7.00 (178)	6.56 (167)	20.44 (519)	13.75 (349)	6.25 (159)	5.00 (127)	8.00 (203)	13.42 (341)	18.56 (471)	8.93 (227)	3.50 (89)
284	14.00 (356)	7.00 (178)	6.56 (167)	22.44 (570)	13.75 (349)	6.25 (159)	5.00 (127)	8.00 (203)	13.42 (341)	18.56 (471)	8.93 (227)	3.50 (89)
361	16.00 (406)	9.50 (241)	7.00 (178)	25.12 (638)	17.35 (441)	7.00 (178)	7.00 (178)	9.00 (229)	18.19 (462)	27.85 (707)	12.44 (316)	3.77 (96)
362	16.00 (406)	9.50 (241)	7.00 (178)	28.75 (730)	17.35 (441)	7.00 (178)	7.00 (178)	9.00 (229)	18.19 (462)	27.85 (707)	12.44 (316)	3.77 (96)
363	16.00 (406)	9.50 (241)	10.50 (267)	31.88 (810)	17.35 (441)	7.00 (178)	7.00 (178)	9.00 (229)	18.19 (462)	27.85 (707)	12.44 (316)	3.77 (96)
431	21.46 (545)	15.00 (381)	10.00 (254)	33.89 (861)	22.64 (575)	9.00 (229)	11.00 (279)	13.00 (330)	24.44 (621)	36.10 (917)	16.00 (406)	2.66 (68)
432	21.46 (545)	15.00 (381)	10.00 (254)	37.39 (950)	22.64 (575)	9.00 (229)	11.00 (279)	13.00 (330)	24.44 (621)	36.10 (917)	16.00 (406)	2.66 (68)
433	21.46 (545)	15.00 (381)	10.00 (254)	42.39 (1077)	22.64 (575)	9.00 (229)	11.00 (279)	13.00 (330)	24.44 (621)	36.10 (917)	16.00 (406)	2.66 (68)

Note: Connection boxes shown are furnished as standard product. Consult factory for optional connection boxes.

① When bolt-on PMG kit is added, C dimension increases by 5.19" on 360 frame MAGNAPLUS® and 4.37" on 430 frame MAGNAPLUS®.